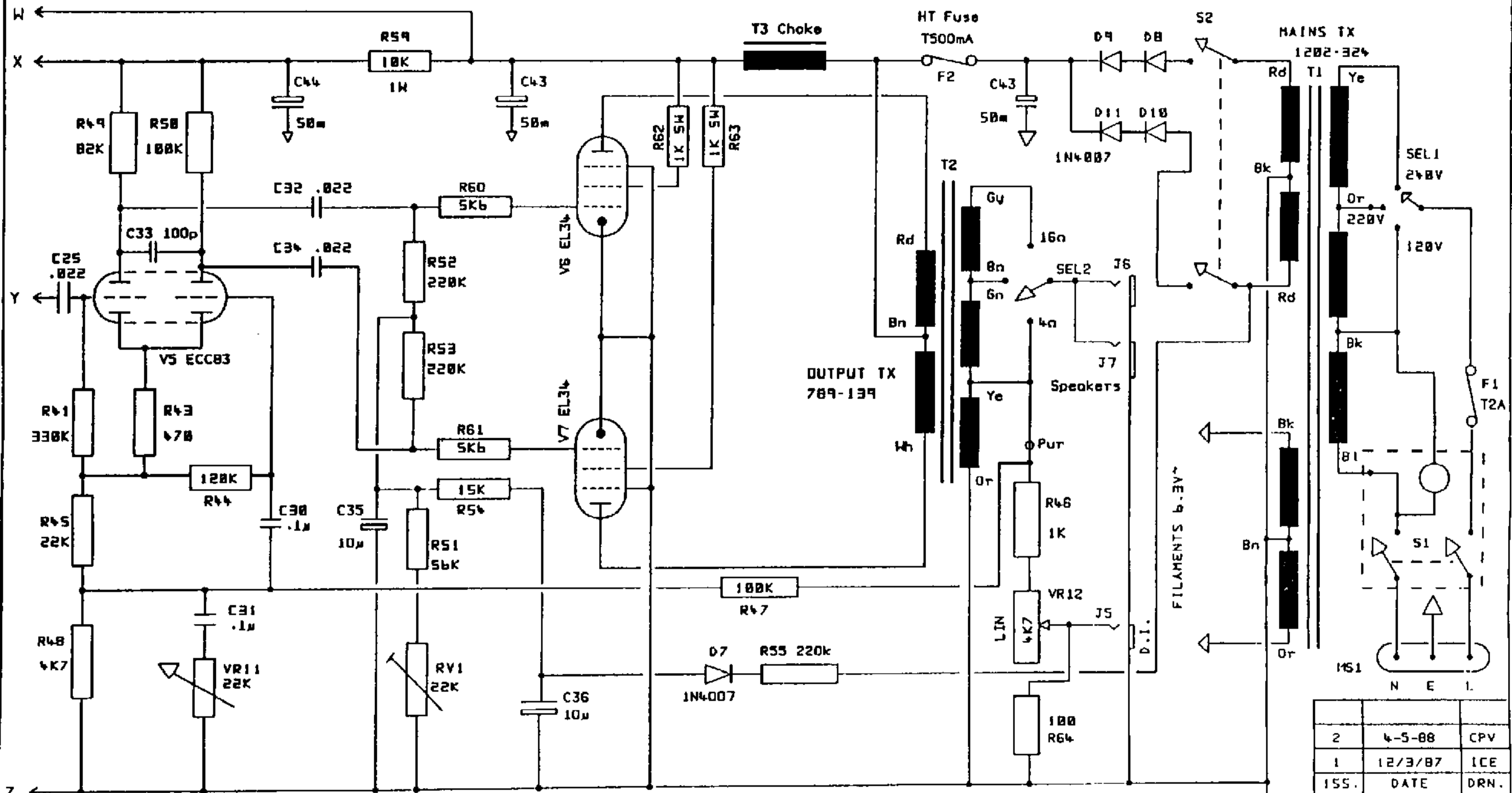


Notes:  
 PCB: JM83  
 V1, V2, V3, V4  
 ECC83/12AX7  
 All pots LOG unless  
 stated otherwise

2	18-5-88	CPV
1	6/3/87	ICE
ISS. DATE		DRN.
DRAWING NUMBER		
2205 Preamp		
MARSHALL		
JIM MARSHALL PRODUCTS LTD. BLETCHLEY MILTON KEYNES ENGLAND		
File: 2205PRE.061		



2	4-5-88	CPV
1	12/3/87	ICE
ISS.	DATE	DRN.

2205 STD  
Output Stage & PSU

MARSHALL

JIM MARSHALL  
PRODUCTS LTD.  
BLETCHLEY  
MILTON KEYNES  
ENGLAND  
File: 2205P4R.DGM