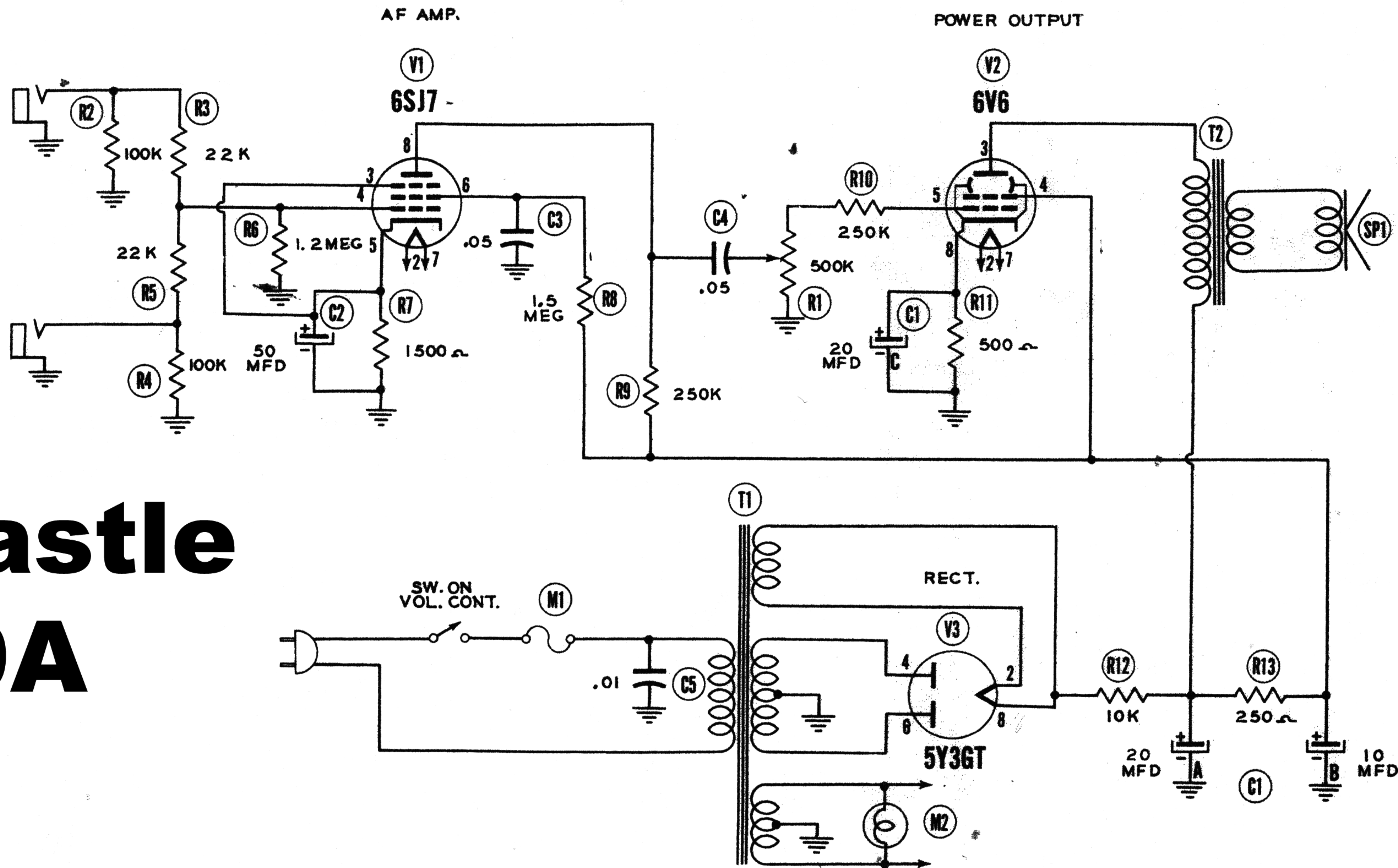


Aircastle 79A



VOLTAGE READINGS

Item	Tube	Pin 1	Pin 2	Pin 3	Pin 4	Pin 5	Pin 6	Pin 7	Pin 8
V 1	6SJ7	0V	3.2VAC	1.4VDC	0V	1.4VDC	30VDC	3.4VAC	127VDC
V 2	6V6GT	0V	3.2VAC	350VDC	330VDC	0V	0V	3.4VAC	22.5VDC
V 3	5Y3GT	0V	370VDC	83VAC	330VAC	0V	330VAC	0V	370VDC

RESISTANCE READINGS

Item	Tube	Pin 1	Pin 2	Pin 3	Pin 4	Pin 5	Pin 6	Pin 7	Pin 8
V 1	6SJ7	Inf.	.1Ω	1.5KΩ	60KΩ	1.5KΩ	†1.5Meg	.1Ω	†300KΩ
V 2	6V6GT	Inf.	.1Ω	†540Ω	†10KΩ	850KΩ	Inf.	.1Ω	500Ω
V 3	5Y3GT	Inf.	60KΩ	Inf.	130Ω	Inf.	120Ω	Inf.	60KΩ

† MEASURED FROM PIN 8 OF V3

THE COOPERATION OF THE MANUFACTURER OF THIS EQUIPMENT MAKES IT POSSIBLE TO BRING YOU THIS SERVICE

A PHOTOFAC STANDARD NOTATION SCHEMATIC
© Howard W. Sams & Co., Inc. 1951

*see also Silvertone 1301
+ Dickerson MOTS
137-3 AMP*

1. DC Voltage measurements are at 20,000 ohms per volt; AC Voltages measured at 1,000 ohms per volt.
2. Socket connections are shown as bottom views.
3. Measured values are from socket pin to common negative.
4. Line voltage maintained at 117 volts for voltage readings.
5. Nominal tolerance on component values makes possible a variation of $\pm 10\%$ in voltage and resistance readings.
6. Volume control at maximum, no signal applied for voltage measurements.