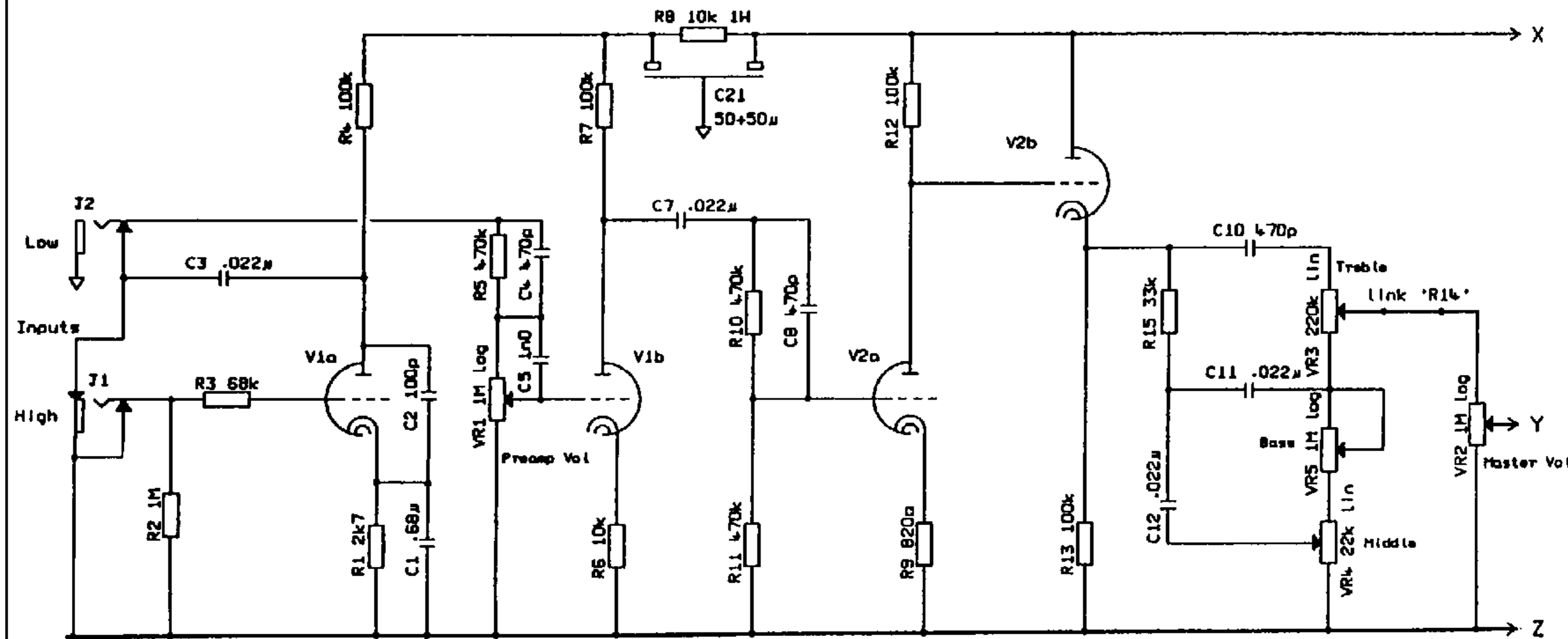


NOTES

PCB: JM80

V1.2: ECC83. Filament supply shown on power stage diagram.



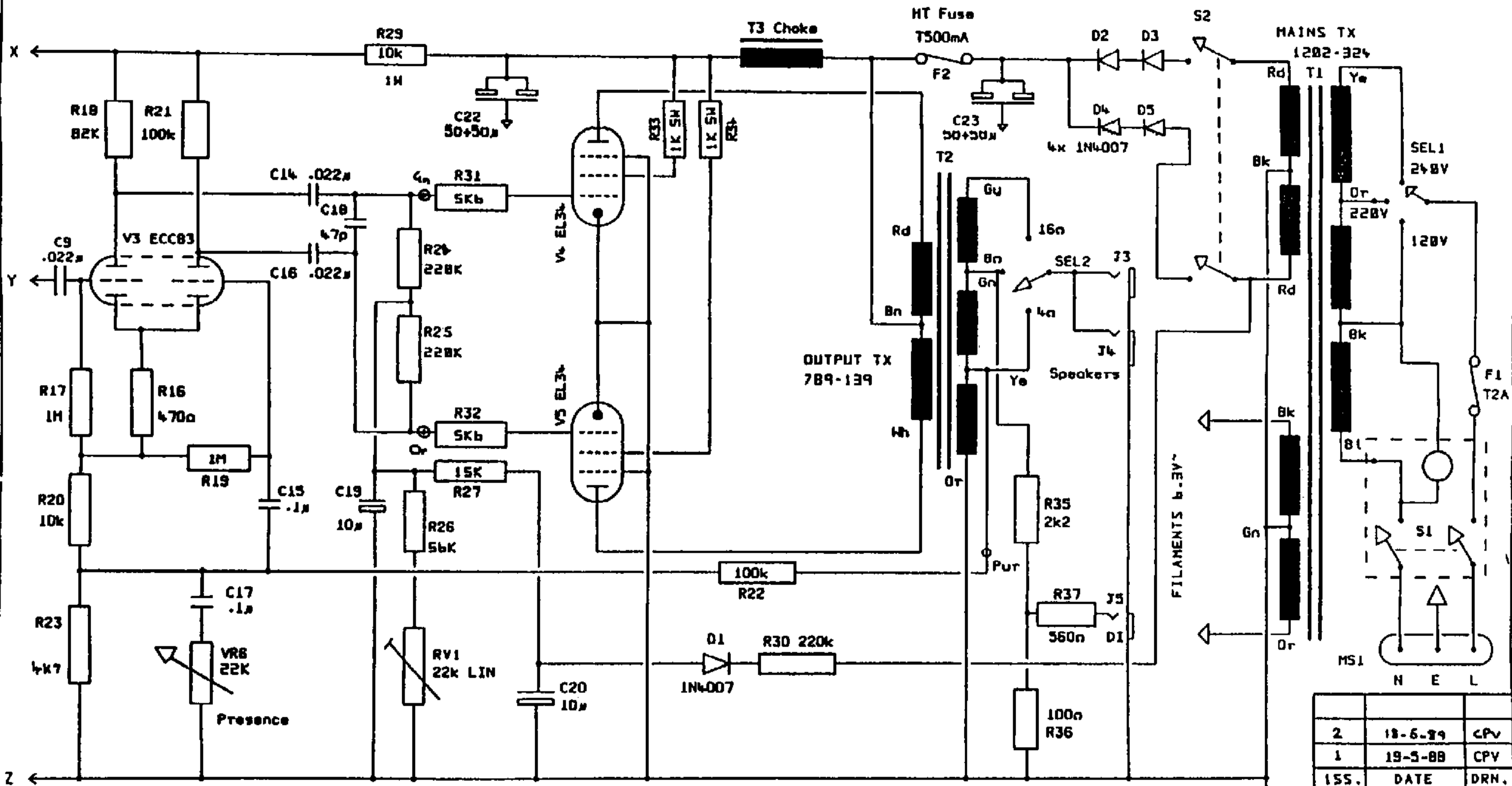
4	19-5-88	CPV
ISS. DATE		DRN.

DRAWING NUMBER
2204 STD
 Preamp

MARSHALL

JIM MARSHALL
 PRODUCTS LTD.
 BLETCHLEY
 MILTON KEYNES
 ENGLAND
 File: 2204PRE.DGM





2	18-6-89	CPV
1	19-5-88	CPV
ISS.	DATE	DRN.

2204 STD
Output Stage & PSU

MARSHALL

JIM MARSHALL
PRODUCTS LTD.
GLETCLEY
MILTON KEYNES
ENGLAND

