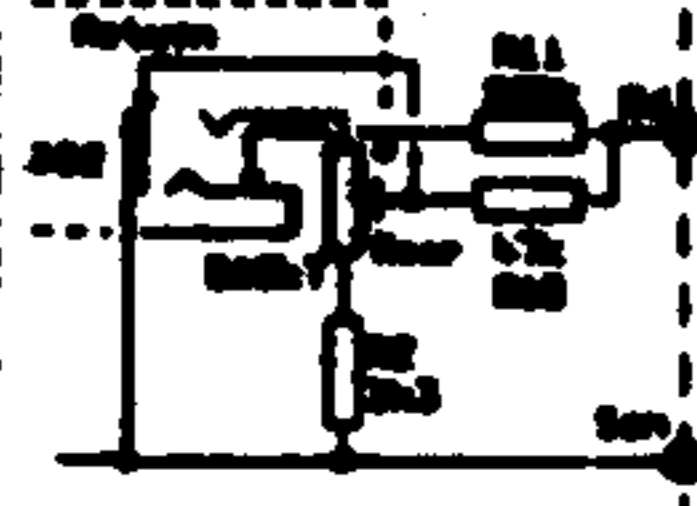


Models: 4500, 4501, 4502  
4100, 4101 & 4102

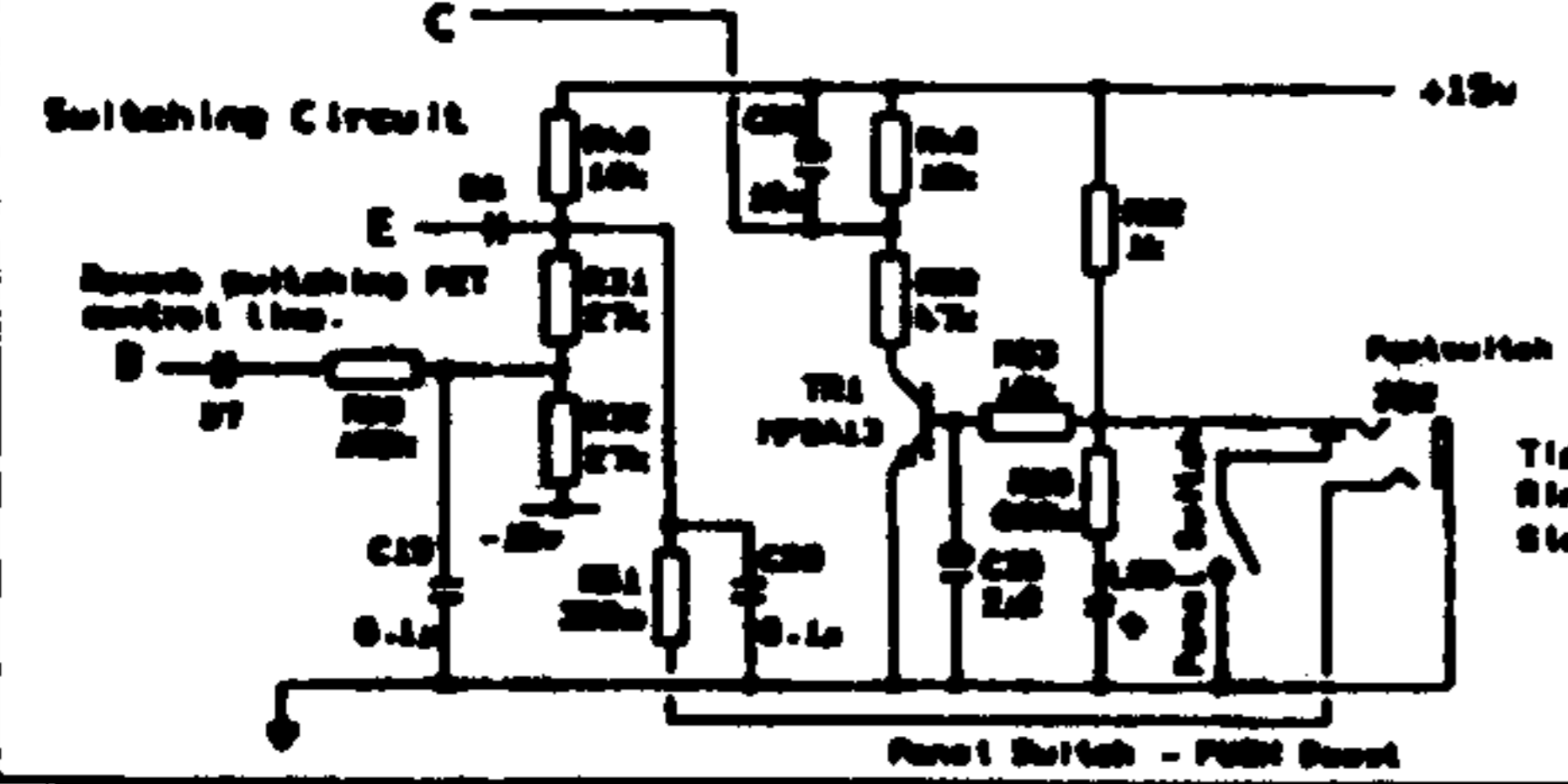
V1: Preamp (Ch. A) V1.  
V2: Gain (Ch. B) Gain

Effects loop components in PA Preamp  
Mount on the PCB covered with 101

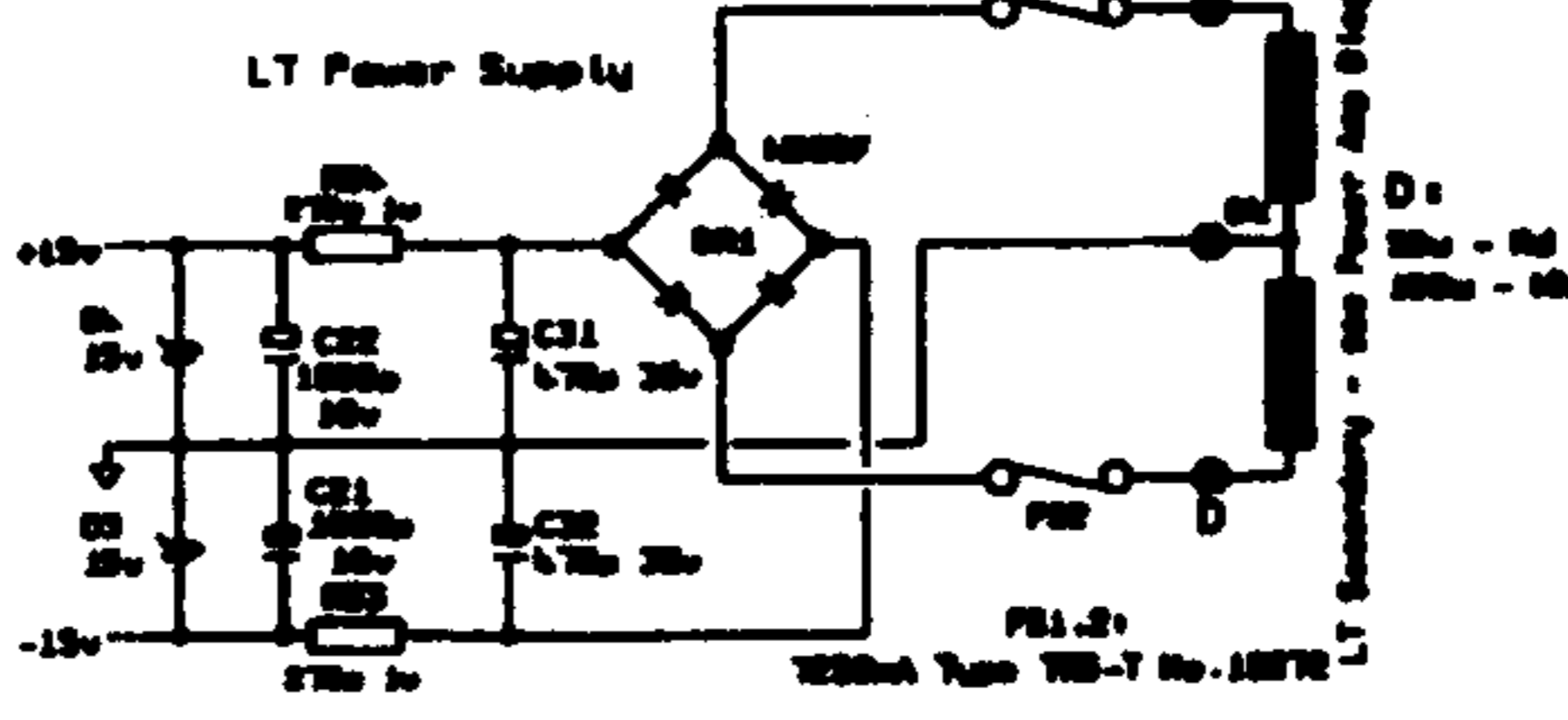
Effects Loop Circuit



Switching on-off control line  
to pin 2 of each 741 on PCB



Tip - Channel  
Ring - Reverb  
Sleeve - Ground

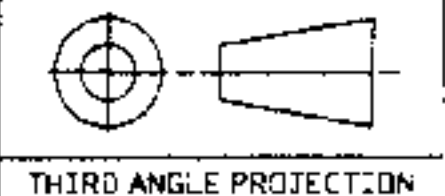


**NOTES:**

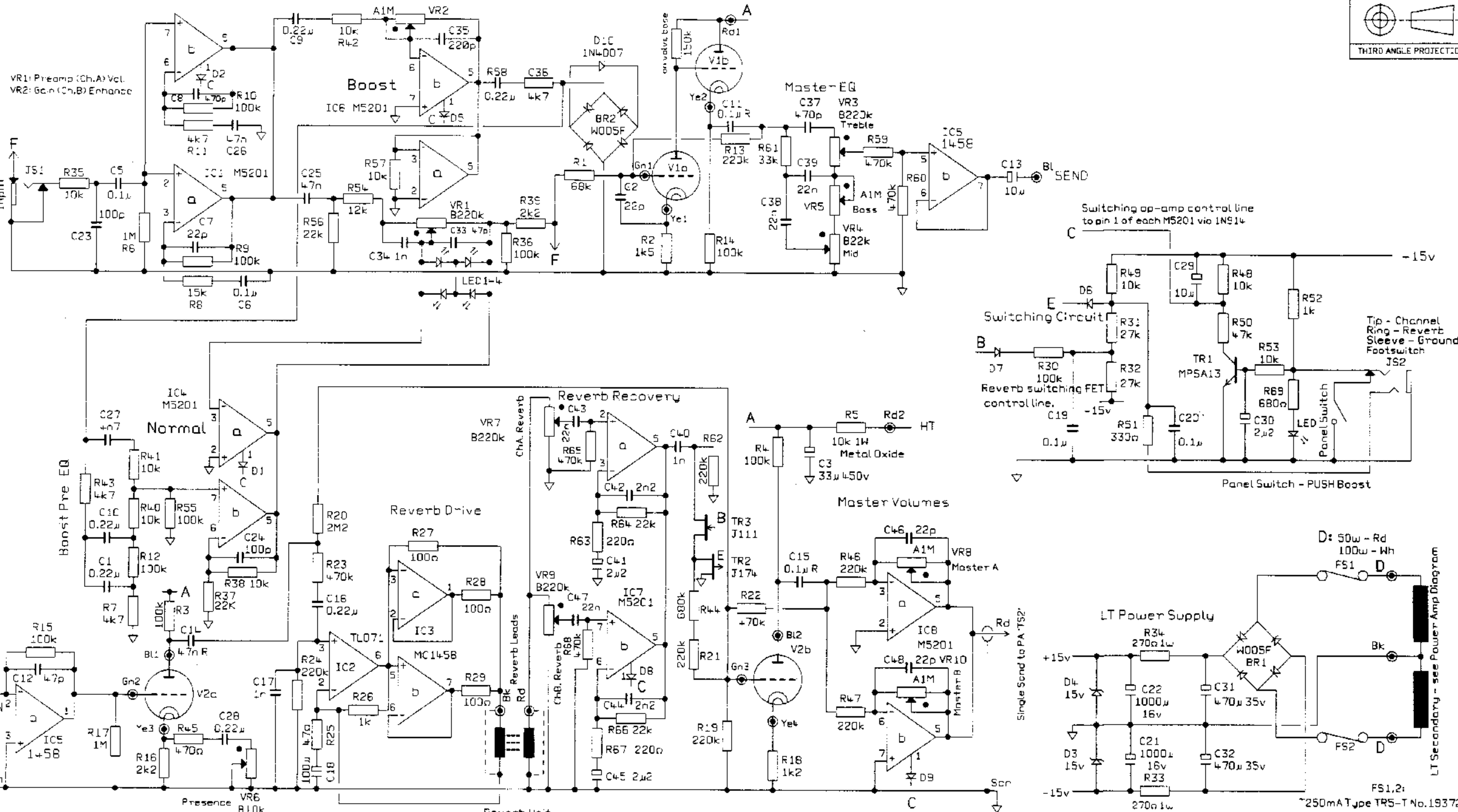
1. All resistors 1/4w unless stated.
2. PCB: 275°C enamel
3. Power amp diagram:  
6800 20u  
6802 20u
4. All chip-lead caps are 50V unless stated
5. Ceramic disk cap value 100000 20u
6. All capacitors 50V
7. All unmarked disks are 50V
8. IC supplies:  
All ICs but TL072, pin 6: +15V  
TL072, pin 7: -15V  
All ICs, pin 4: -15V
9. 741 switching IC pins:  
  
10. Do not fit out.  
11. V1, 2, 3: 6800.

|           |          |      |
|-----------|----------|------|
| 7         | 22-11-88 | MB   |
| 6         | 1-11-88  | MB   |
| 5         | 2-7-88   | CPV  |
| 4         | 11-4-88  | CPV  |
| Iss. Date |          | Drn. |

Buy Number: C80189  
**JCM800 Series**  
**DUAL REVERB Preamp**  
 Circuit Diagram  
**ALL COUNTRIES**  
**Marshall**  
 Jim Marshall  
 (Products) Ltd.  
 SLETCLEY  
 MILTON KEYNES  
 ENGLAND  
 P10r: 02000-000

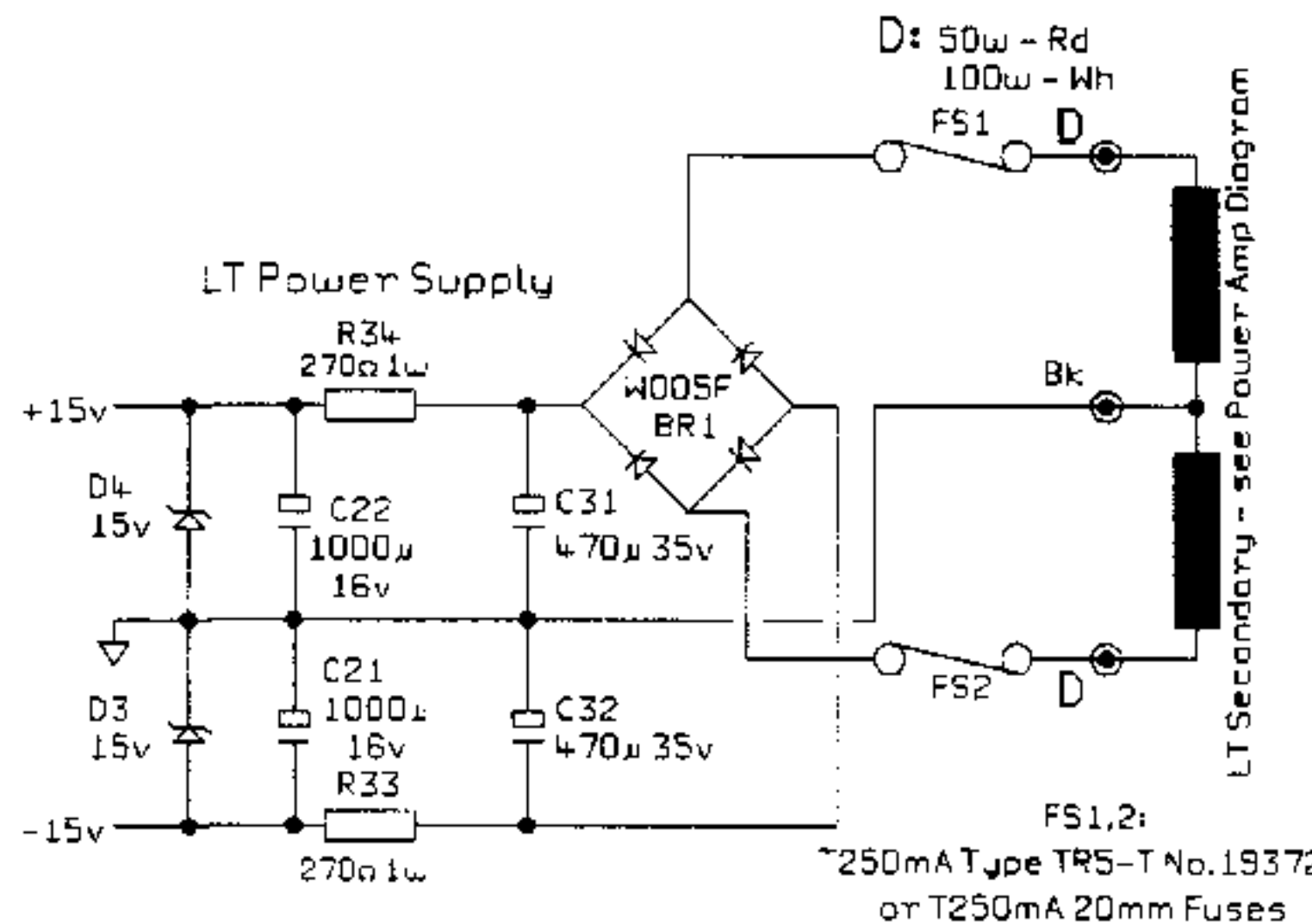
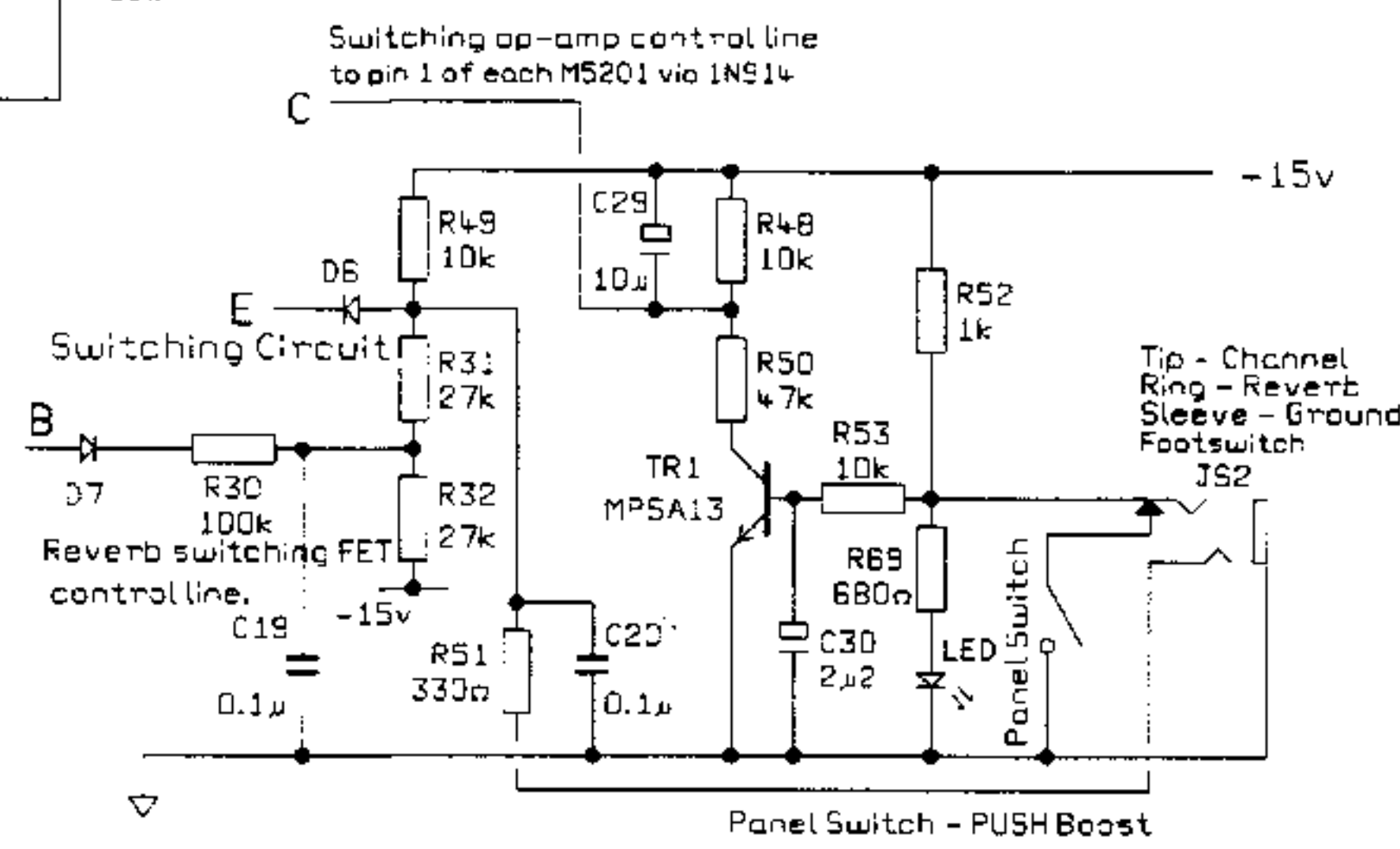


DWG.No: JMP52-02



**NOTES:**  
 1. All resistors 1/4w unless stated.  
 2. All non-elect. caps are 50v axial unless marked:  
 D: Ceramic disk } High voltage  
 R: MKT Radial }

- 3. All zeners 500mW.
- 4. All unmarked diodes are 1N914.
- 5. IC supplies:  
 All ICs but TL071, pin 8: +15v  
 TL071, pin 7: +15v  
 All ICs, pin 4: -15v
- 6. M5201 switching IC pins:  
 Ctrn 1, B -ve, 2 +, 3 -, 4 -ve, 5 Dut
- 7. V1,2,3: ECC83.

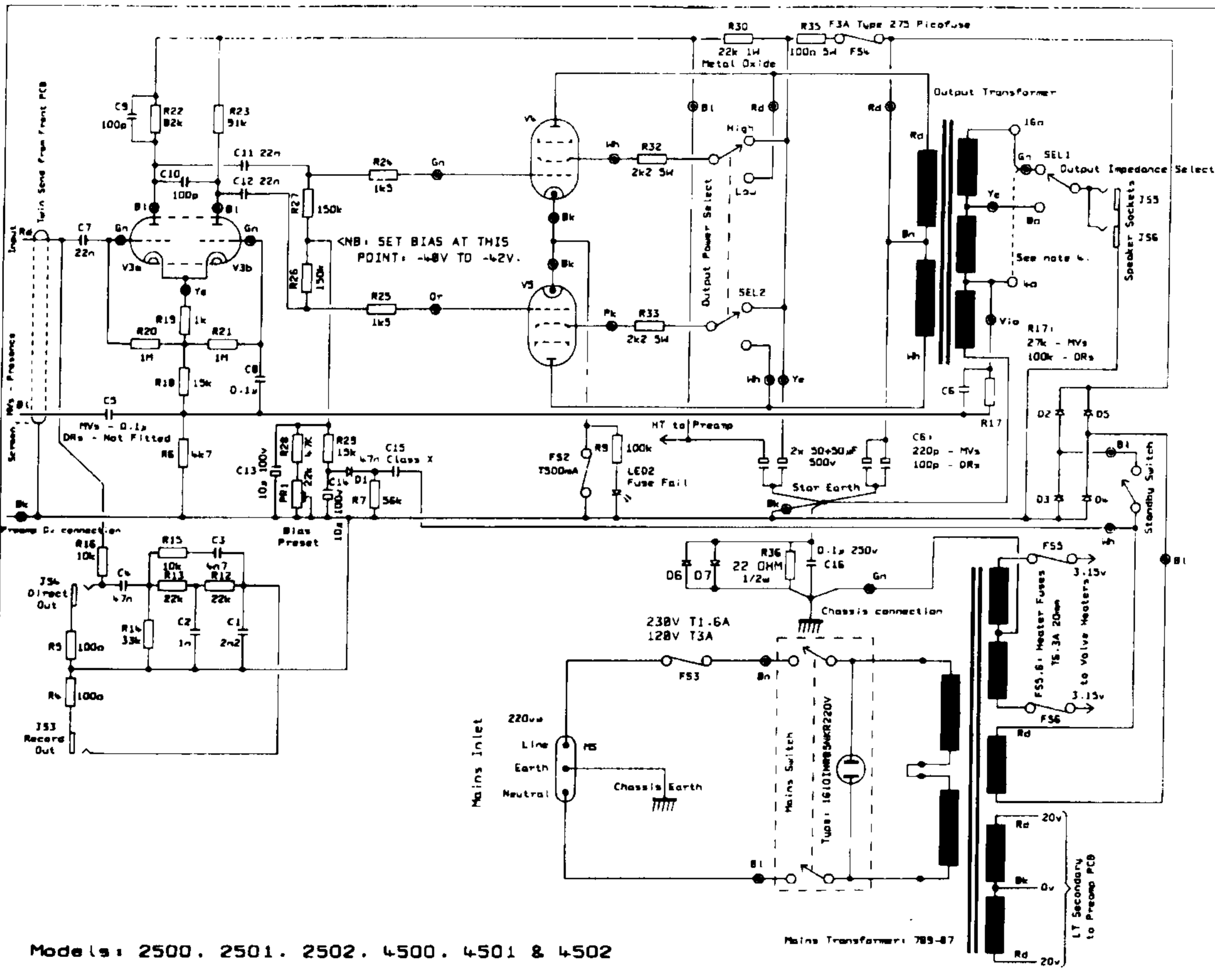


|     |            |          |                       |   |  |                      |                                      |               |             |       |  |
|-----|------------|----------|-----------------------|---|--|----------------------|--------------------------------------|---------------|-------------|-------|--|
| 10  | 0596       | 14-4-94  | UNSPECIFIED HOLE DATA |   |  |                      | MATERIAL                             | DIMENSIONS IN |             | TITLE |  |
| 9   | 0455       | 24/02/94 | A                     | H |  | MATERIAL THICKNESS   | TOLERANCE (UNLESS OTHERWISE STATED): |               | PRE-AMP CCT |       |  |
| 8   | 0306       | 28/7/93  | B                     | J |  | INTERNAL BEND RADIUS | DIMENSIONAL                          |               | DWG.No      |       |  |
| 7   | 0349       | A.G.     | C                     | K |  | EXTERNAL B/A         | CENTRES                              |               | ISSUE       |       |  |
| 6   | 18-9-90    | SKB      | D                     | L |  | BEND D/E             | ANGULAR                              |               | JMP52-02    |       |  |
| 5   | 2-7-90     | CPV      | E                     | M |  | DRAWN CJRH           | DATE                                 | 28/7/93       | 10          |       |  |
| 4   | 11-4-90    | CPV      | F                     | N |  | CHECKED              | DATE                                 |               |             |       |  |
| ISS | ECO NUMBER | DATE     | G                     | P |  | APPROVED             | DATE                                 |               |             |       |  |

**Marshall**

COPYRIGHT EXISTS ON THIS DOCUMENT. IT MUST NOT BE USED FOR ANY PURPOSE THAN THAT FOR WHICH IT IS SUPPLIED AND MUST NOT BE COPIED, IN WHOLE OR IN PART, WITHOUT WRITTEN PERMISSION FROM  
 MARSHALL AMPLIFICATION PLC  
 DENBIGH ROAD, BLETCHLEY, MILTON KEYNES, MK1 1DG  
 TEL: (0298) 375411 FAX: (0298) 375110

4100/4500



- NOTES:**
- D1-5: 1N4007.
  - PCB: JMP50C onwards
  - Effects loop components shown on preamp ckt. diag.
  - Output impedance select can be wired for either 8 & 16Ω (normal) or 4 & 8Ω.
  - Components not fitted:  
Resistors: R8, 20, 23, 24, 27, 33, 36  
Others: F51, LED1
  - V3: ECC83  
Vc, 5: EL34  
See note 4.
  - All resistors are 1/4W unless stated otherwise.

Iss. 7: JMP50C PCB

|           |          |     |
|-----------|----------|-----|
| 18        | ECC 8147 | CJR |
| 9         | ECC 8126 | CJR |
| 8         | 18-9-90  | SKB |
| 7         | 4-9-90   | CPV |
| 6         | 16-5-90  | CPV |
| 5         | 26-2-90  | CPV |
| Iss. Date | Dnn.     |     |

Dwg. Number: CDD112

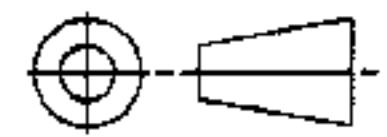
**JCM900 Series**  
50W Power Amp  
Circuit Diagram  
SEMKO AND CSA

**Marshall**  
Jim Marshall  
(Products) Ltd.  
BLETCHLEY  
MILTON KEYNES  
ENGLAND

File: JMP50C1.0GM

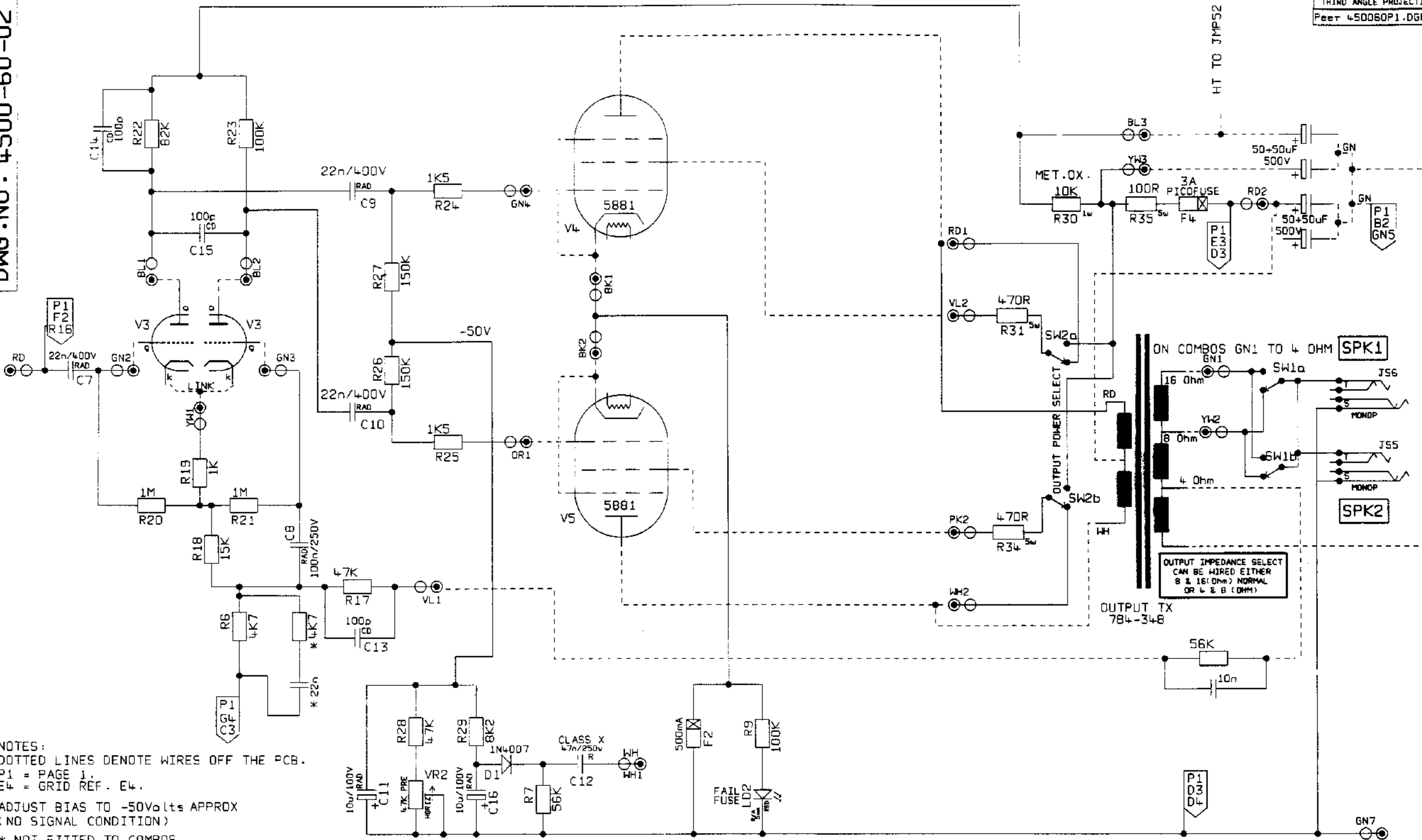
Models: 2500, 2501, 2502, 4500, 4501 & 4502

Main Transformer: 789-87



THIRD ANGLE PROJECTION  
 Part 450060P1.DGM

DWG. No. 4500-60-02



NOTES:  
 DOTTED LINES DENOTE WIRES OFF THE PCB.  
 P1 = PAGE 1.  
 E4 = GRID REF. E4.  
 ADJUST BIAS TO -50Volts APPROX  
 (NO SIGNAL CONDITION)  
 \* NOT FITTED TO COMBDS

|     |            |          |
|-----|------------|----------|
| 10  | 0685       | 24/08/94 |
| ISS | ECO NUMBER | DATE     |

| UNSPECIFIED HOLE DATA |   |
|-----------------------|---|
| A                     | H |
| B                     | J |
| C                     | K |
| D                     | L |
| E                     | M |
| F                     | N |
| G                     | P |

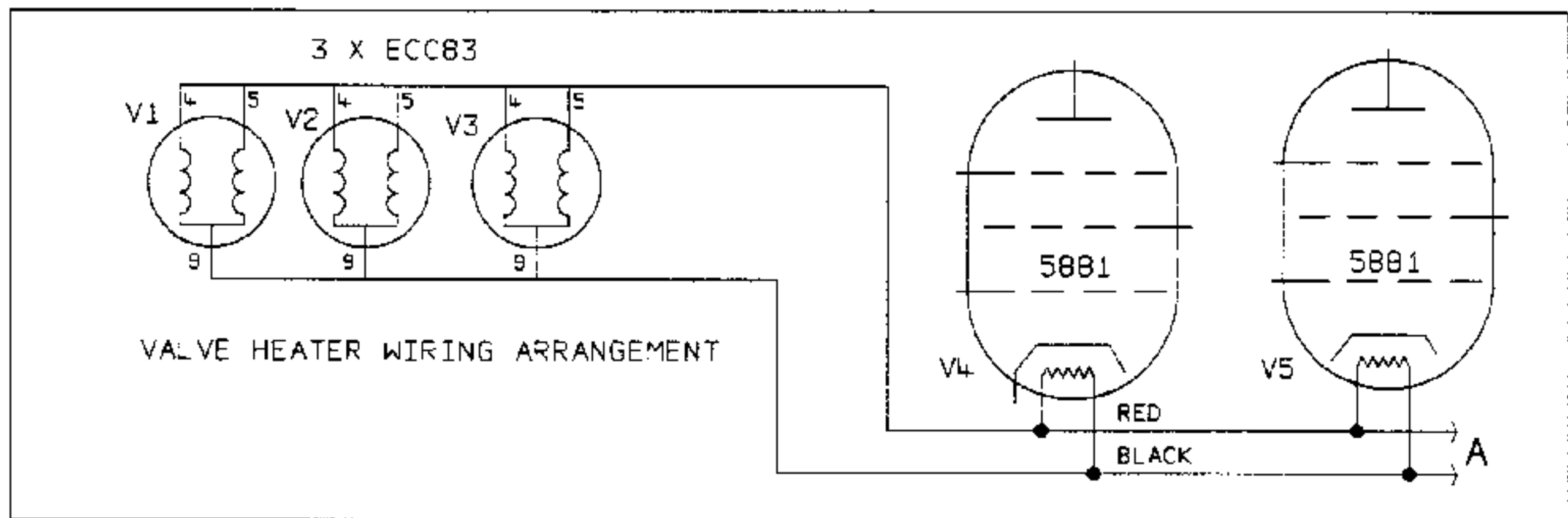
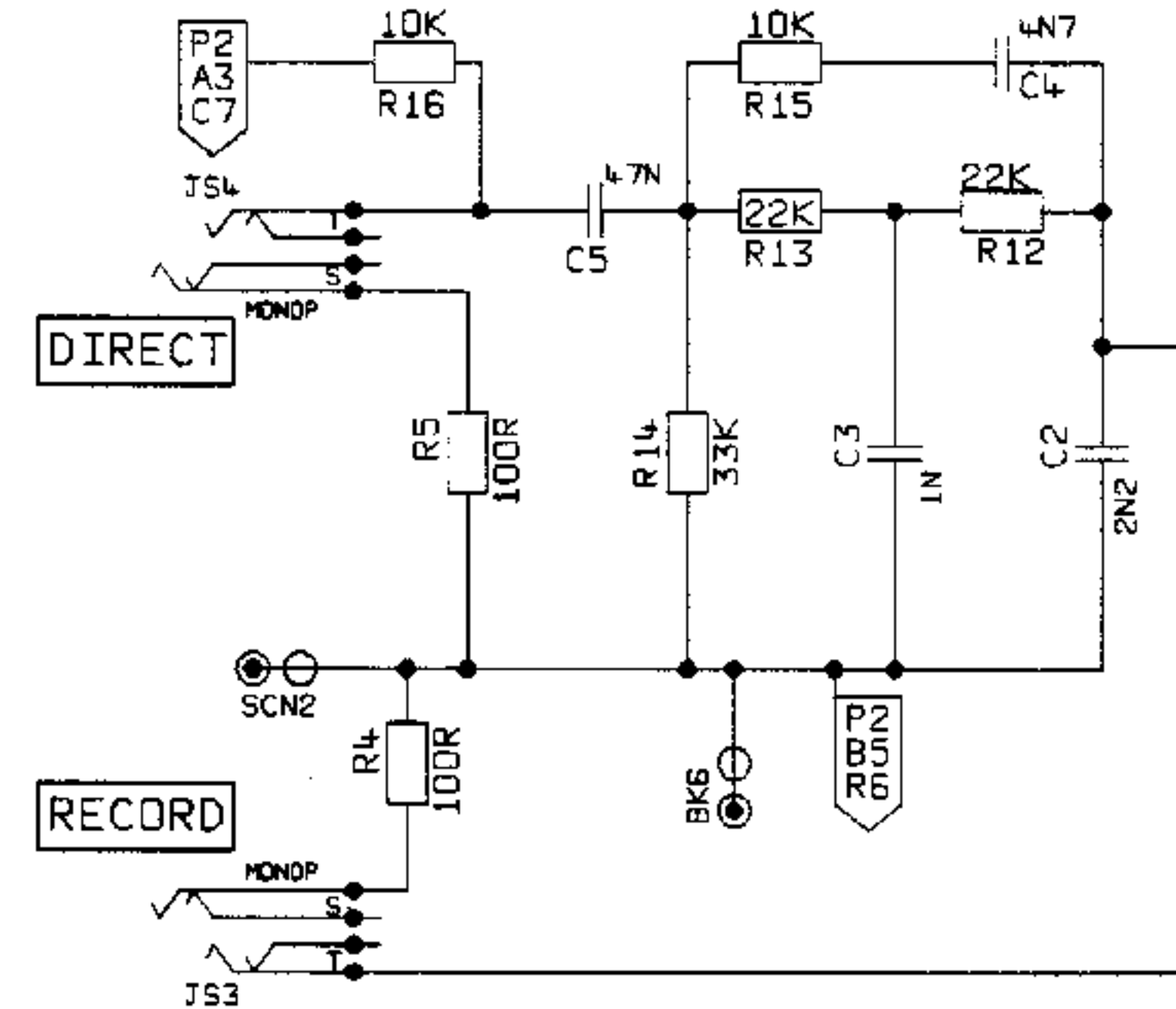
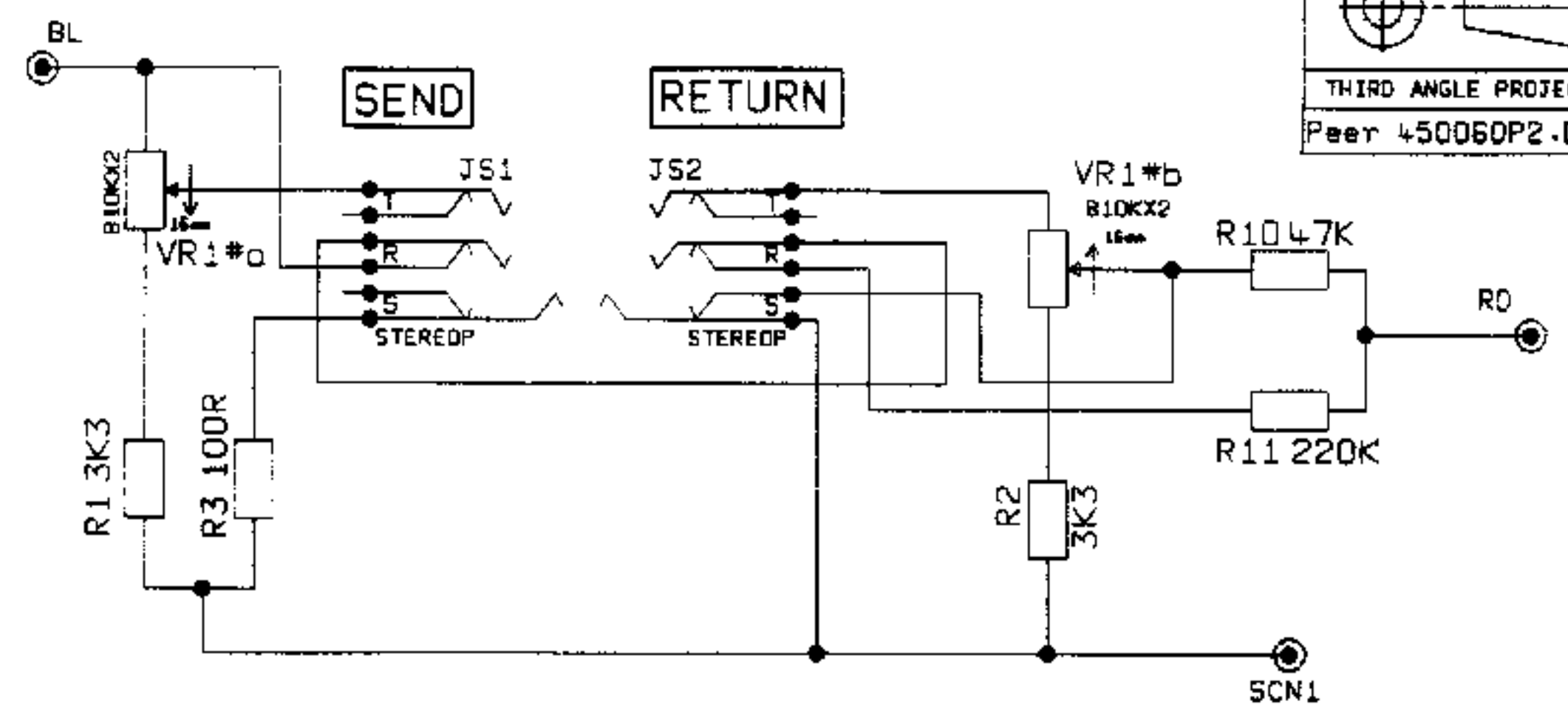
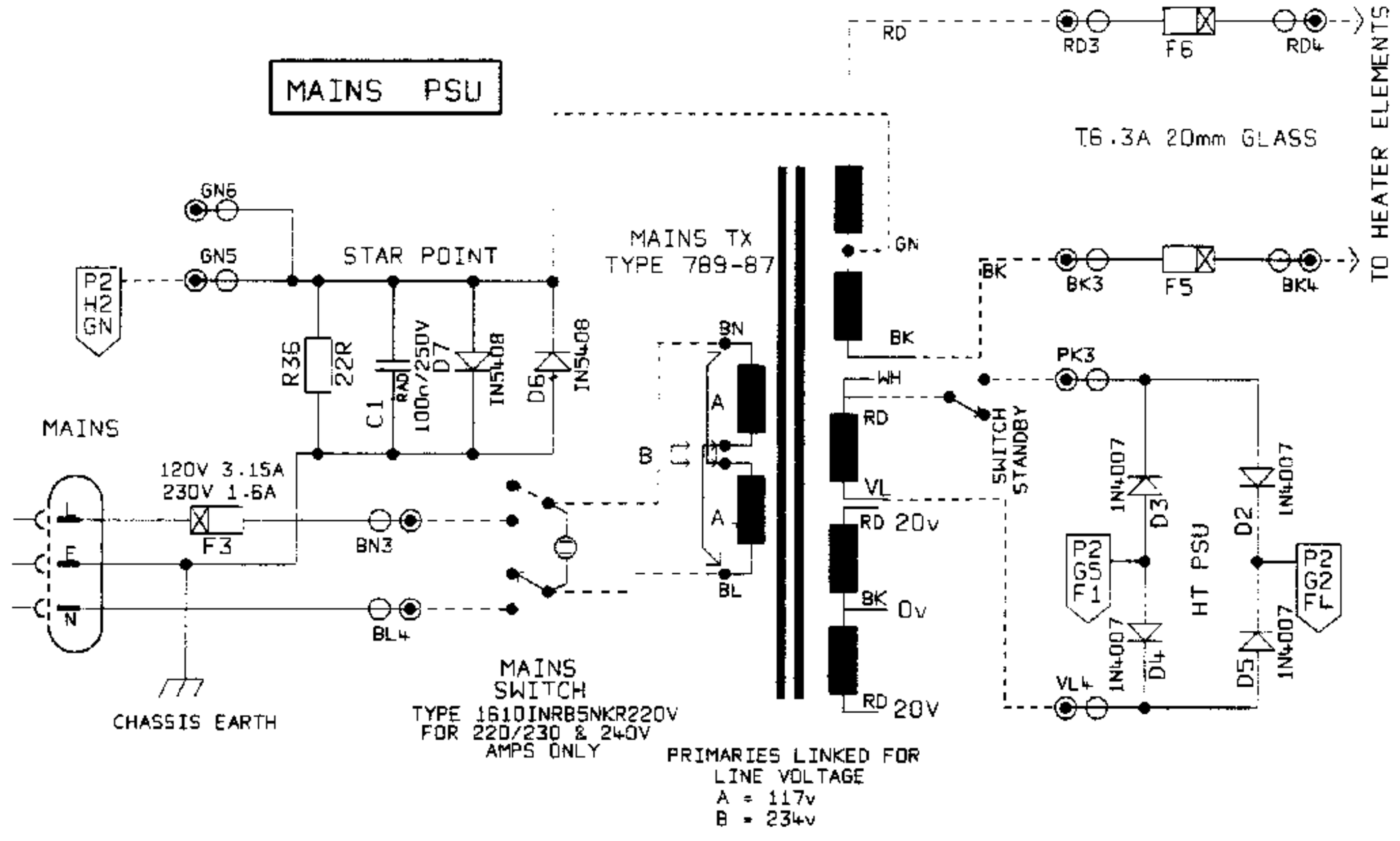
|                      |         |
|----------------------|---------|
| MATERIAL             |         |
| MATERIAL THICKNESS   |         |
| INTERNAL BEND RADIUS |         |
| EXTERNAL B/A         |         |
| BEND DIE             |         |
| DRAWN                | CJRH    |
| DATE                 | 27/7/93 |
| CHECKED              | K.S.M.  |
| DATE                 | 28/8/94 |
| APPROVED             |         |
| DATE                 |         |

|                                     |      |
|-------------------------------------|------|
| DIMENSIONS IN                       |      |
| TOLERANCE (UNLESS OTHERWISE STATED) |      |
| DIMENSIONAL                         |      |
| CENTRES                             |      |
| ANGULAR                             |      |
| MODEL                               | 4500 |

|        |               |
|--------|---------------|
| TITLE  | POWER AMP CCT |
| 2 OF 2 |               |
| DWF No | 4500-60-02    |
| ISSUE  | 10            |

**Marshall**  
 COPYRIGHT EXISTS ON THIS DOCUMENT. IT MUST NOT BE USED FOR ANY PURPOSE  
 OTHER THAN THAT FOR WHICH IT IS SUPPLIED AND MUST NOT BE REPRODUCED  
 OR IN PART) WITHOUT WRITTEN PERMISSION FROM  
 MARSHALL AMPLIFICATION PLC  
 DENBIGH ROAD, BLETCHLEY, MILTON KEYNES, MK1 1DB.  
 TEL: (0908) 272611 FAX: (0908) 272618

|        |               |
|--------|---------------|
| TITLE  | POWER AMP CCT |
| 2 OF 2 |               |
| DWF No | 4500-60-02    |
| ISSUE  | 10            |



NOTES:  
DOTTED LINES DENOTE WIRES OFF THE PCB.  
P2 = PAGE 2.  
E4 = GRID REF. E4.

|     |            |          |
|-----|------------|----------|
| 10  | D685       | 23/08/94 |
| ISS | ECO NUMBER | DATE     |

| UNSPECIFIED HOLE DATA |   |
|-----------------------|---|
| A                     | H |
| B                     | J |
| C                     | K |
| D                     | L |
| E                     | M |
| F                     | N |
| G                     | P |

|                      |              |
|----------------------|--------------|
| MATERIAL             |              |
| MATERIAL THICKNESS   |              |
| INTERNAL BEND RADIUS |              |
| EXTERNAL B/A         |              |
| BEND DIE             |              |
| DRAWN CJRH           | DATE 27/7/93 |
| CHECKED KS           | DATE 25/8/94 |
| APPROVED             | DATE         |

|                                     |      |
|-------------------------------------|------|
| DIMENSIONS IN                       |      |
| TOLERANCE (UNLESS OTHERWISE STATED) |      |
| DIMENSIONAL                         |      |
| CENTRES                             |      |
| ANGULAR                             |      |
| MODEL                               | 4500 |

**Marshall**

COPYRIGHT EXISTS ON THIS DOCUMENT. IT MUST NOT BE USED FOR ANY PURPOSE OTHER THAN THAT FOR WHICH IT IS SUPPLIED AND MUST NOT BE REPRODUCED OR IN PART) WITHOUT WRITTEN PERMISSION FROM

© MARSHALL AMPLIFICATION PLC  
DENBISH ROAD, BLETCHLEY, MILTON KEYNES, MK1 1QJ.  
TEL (0908) 379611 FAX (0908) 376116

|               |       |
|---------------|-------|
| TITLE         |       |
| POWER AMP CCT |       |
| 1 OF 2        |       |
| DWG No        | ISSUE |
| 4500-60-02    | 10    |